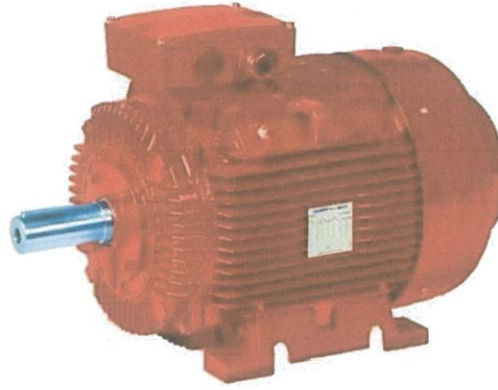


# DRAKOS FIRE PUMP MOTOR

Three Phase Premium Efficiency  
Asynchronous Motors

UL Listed - EX16407



Drakos SWE Series Three Phase Asynchronous Motor is premium efficiency electric motors with cast iron housing. Fully complied with:-

- UL1004-1 Rotating Electrical Machines General Requirement
- UL1004-5 Fire Pump Motors and IEC60034 Standard

The characteristics of all Drakos Three Phase Asynchronous Motors are as follows:-

- Widely applied in general machinery and industries such as pumps & water treatment, fire fighting system, road machinery, petroleum, chemical, metallurgy, cement and paper milling.
- IP55 protection, Class F insulation, B Temperature rise, S1 duty, Service factor 1.15.
- Rated voltage: 415V.
- Rated frequency: 50Hz.
- Ambient temperature: -20°C to 50°C
- Altitude: <1000m
- Cooling method: IC411

SWE Series Technical Specifications				Rated Speed	Efficiency $\eta$ %			Power Factor $\cos \phi$			Locked Rotor Current	Locked Rotor Torque	Breakdown Torque	Sound LP	Moment of Inertia	Weight
Frame Size	Rated Output		Full Load Current (A)		Of Full Load						IL/In	TL/Tn	Tb/Tn	dB(A)	J(kgm <sup>2</sup> )	kg
	kW	HP	415V		Rpm	100	75	50	100	75	50					
160M2-2	15	20	25.6	2935	92.4	92.3	90.7	0.91	0.83	0.75	7.6	2.7	3.0	69	0.068	130
160L-2	18.5	25	31.3	2945	92.8	92.8	91.5	0.90	0.85	0.71	7.6	2.7	3.0	69	0.076	150
180M-2	22	30	36.7	2955	93.1	93.0	91.9	0.90	0.84	0.76	7.6	2.6	3.2	69	0.173	185
200L1-2	30	40	50.3	2960	93.5	93.2	92.2	0.91	0.86	0.80	7.6	2.3	3.4	75	0.193	245
200L2-2	37	50	61.7	2960	94.2	94.0	92.3	0.90	0.84	0.80	8.5	3.0	3.8	75	0.203	275
225M-2	45	60	73.9	2965	94.5	94.3	93.1	0.91	0.88	0.81	8.5	2.8	3.9	75	0.411	345
250M-2	55	75	93.3	2980	95.0	94.6	93.4	0.89	0.86	0.76	8.0	2.6	3.9	81	0.435	450
280S-2	75	100	122	2975	95.0	94.8	94.0	0.90	0.88	0.83	7.1	2.2	2.8	80	0.743	540
280M-2	90	125	145	2975	95.0	94.9	94.1	0.90	0.89	0.84	7.1	2.1	2.9	80	0.823	575
315S-2	110	150	183	2980	95.2	94.7	93.3	0.90	0.88	0.82	7.5	2.2	2.6	80	1.861	1010
315M-2	132	175	210	2980	95.4	95.0	93.7	0.90	0.88	0.83	7.3	2.2	3.3	80	2.11	1070
315L1-2	160	215	259	2980	95.6	95.2	94.1	0.90	0.88	0.83	8.0	2.5	3.2	82	2.42	1210
315L2-2	200	270	323	2980	95.8	95.4	94.3	0.90	0.88	0.83	8.0	2.5	3.3	83	2.67	1285
355M-2	250	335	395	2980	95.8	95.4	94.3	0.91	0.89	0.85	6.5	1.9	2.6	83	4.03	1798
355L1-2	280	375	452	2980	95.8	95.4	94.3	0.91	0.89	0.85	6.5	1.9	2.6	83	4.36	1885
355L2-2	315	420	509	2980	95.8	95.4	94.3	0.91	0.89	0.85	7.2	1.6	2.3	83	4.73	1960
355M1-4	220	300	363	1485	96.0	95.7	94.6	0.89	0.87	0.83	7.1	2.0	2.3	79	6.45	1295
355M-4	250	335	407	1490	96.0	95.7	94.7	0.89	0.88	0.83	7.1	2.0	2.2	79	7.36	1820
355L1-4	280	375	456	1490	96.0	95.7	94.9	0.90	0.89	0.84	7.1	2.0	2.2	80	8.01	1870
355L-4	315	420	513	1490	96.0	95.7	94.9	0.90	0.89	0.84	7.1	2.0	2.2	80	9.10	2000

**DRAKOS  
MOTOR**

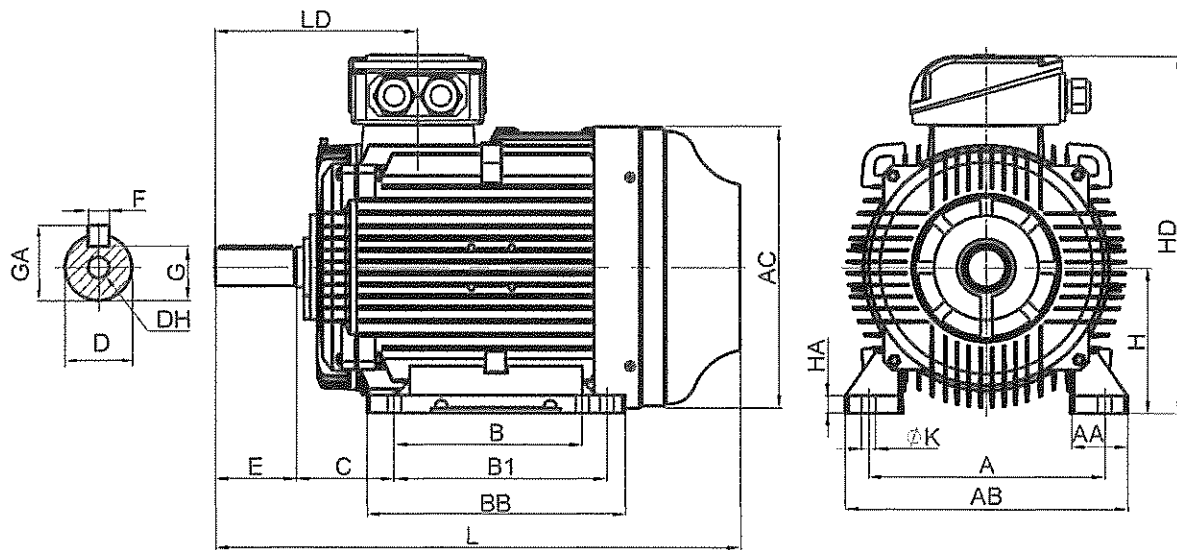


UL Listed  
EX16407



BUREAU  
VERITAS  
ISO 9001:2015

## Mounting and Overall Dimensions



Frame Size	Poles	Mounting Dimensions (mm)												Overall Dimensions (mm)								
		A	B	BI	C	D	E	F	G	H	K	DH	GA	AA	AB	AC	HA	HD	BB	LD	L	
160M2	2	254	210	/	108	42	110	12	37	160	15	M16 x 36	45	64	315	315	20	409	260	146	614	
160L	2	254	254	/	108	42	110	12	37	160	15	M16 x 36	45	64	315	315	20	409	384	146	658	
180M	2	279	241	/	121	48	110	14	43	180	15	M16 x 36	51.5	68	350	360	22	445	311	161	690	
200L1	2	318	305	/	133	55	110	16	49	200	19	M20 x 42	59	68	388	400	25	492	370	186	780	
200L2	2	318	305	/	133	55	110	16	49	200	19	M20 x 42	59	70	388	400	25	492	370	186	780	
225M	2	356	311	/	149	55	110	16	49	225	19	M20 x 42	59	75	455	450	28	540	386	189	820	
250M	2	406	311	/	168	60	140	18	53	250	24	M20 x 42	64	80	503	485	30	616	445	207	915	
280S	2	457	368	/	190	65	140	18	58	280	24	M20 x 42	69	85	545	550	35	672	490	215	968	
280M	2	457	419	/	190	65	140	18	58	280	24	M20 x 42	69	85	545	550	35	672	540	215	1020	
315S	2	508	406	/	216	65	140	18	58	315	28	M20 x 46	69	120	630	625	45	815	575	257	1204	
315M	2	508	457	508	216	65	140	18	58	315	28	M20 x 46	69	120	630	625	45	815	680	257	1307	
315L1	2	508	457	508	216	65	140	18	58	315	28	M20 x 46	69	120	630	625	45	815	680	257	1307	
315L2	2	508	457	508	216	65	140	18	58	315	28	M20 x 46	69	120	630	625	45	815	680	257	1307	
355M	2	610	560	630	254	75	140	20	67.5	355	28	M20 x 46	79.5	120	726	698	52	948	750	425	1501	
355L	2	610	560	630	254	75	140	20	67.5	355	28	M20 x 46	79.5	120	726	698	52	948	750	425	1501	
355M	4	610	560	630	254	95	170	25	86	355	28	M20 x 46	100	120	726	698	52	948	750	425	1531	
355L	4	610	560	630	254	95	170	25	86	355	28	M20 x 46	100	120	726	698	52	948	750	425	1531	

## Bearing

Frame Size	Driven End		Non Driven End	
	2 Pole	4 Pole	2 Pole	4 Pole
160	6209ZZ/C3	-	6209ZZ/C3	-
180	6211/C3	-	6211/C3	-
200	6212/C3	-	6212/C3	-
225	6312/C3	-	6312/C3	-
250	6313/C3	-	6313/C3	-
280	6314/C3	-	6314/C3	-
315	6317/C3	-	6317/C3	-
355	6319/C3	Nu322	6319/C3	6322/C3

**DRAKOS PUMP FAR EAST PTE LTD**  
 35 Kallang Pudding Road  
 #02-12, Tong Lee Building, Blk A  
 Singapore 349913  
 Tel: 65-67442277 / Fax: 65-67445706  
 Email: dp\_asia@yahoo.com.sg, dpasia@lycos.com