

SWE SERIES (IE3)

THREE PHASE PREMIUM EFFICIENCY ASYNCHRONOUS MOTORS

(UL / SETSCO Listed)



Wonder SWE Series Three Phase Asynchronous Motor is premium efficiency electric motors with cast iron housing. Its efficiency indicators are in line with IE3.

Characteristics for all WONDER standard Three Phase Asynchronous Motors

- Widely applied in general machinery and industries such as pumps & water treatment, fire fighting system, road machinery, petroleum, chemical, metallurgy, cement and paper milling.
- IP55 protection, Class F insulation, B Temperature rise, S1 duty, Service factor 1.10.
- Rated voltage: 400V.
- Rated frequency: 50Hz.
- Ambient temperature: 20° C to 40° C
- Altitude: <1000m
- Cooling method: IC411

SWE Series (IE3)

2 Pole / 3000 rpm 50 Hz

Technical Specifications

Frame Size	Rated Output			Full Load Current (A)	Rated Speed Rpm	Efficiency η %			Power Factor $\cos \phi$			Locked Rotor Current	Locked Rotor Torque	Breakdown Torque	Sound LP dB(A)	Moment of Inertia JKgm2	Weight kg
	kW	HP	400V			Of Full Load			Of Full Load								
						100	75	50	100	75	50						
160M2	15	20	25.7	2945	92.4	92.3	90.7	0.91	0.83	0.75	7.6	2.7	3.0	69	0.068	130	
160L	18.5	25	32.0	2945	92.8	92.8	91.5	0.90	0.85	0.71	7.6	2.7	3.0	69	0.076	150	
180M	22	30	37.9	2955	93.1	93.0	91.9	0.90	0.84	0.76	7.6	2.6	3.2	69	0.173	185	
200L1	30	40	50.9	2955	93.5	93.2	92.2	0.91	0.86	0.80	7.6	2.3	3.4	75	0.193	245	
200L2	37	50	63.0	2955	94.2	94.0	92.3	0.90	0.84	0.80	8.5	3.0	3.8	75	0.203	275	
225M	45	60	75.5	2970	94.5	94.3	93.1	0.91	0.88	0.81	8.5	2.8	3.9	75	0.411	345	
250M	55	75	93.9	2980	95.0	94.6	93.4	0.89	0.86	0.76	8.0	2.6	3.9	81	0.435	450	
280S	75	100	126	2980	95.2	95.2	93.6	0.90	0.84	0.80	8.5	2.8	3.9	80	0.743	540	
280M	90	125	150	2980	95.4	95.2	93.8	0.91	0.89	0.85	6.5	2.1	2.9	80	0.823	575	
315S	110	150	182	2980	95.7	95.1	94.1	0.91	0.88	0.86	7.5	2.2	3.6	80	1.64	1010	
315M	132	180	218	2980	95.9	95.8	94.8	0.91	0.87	0.84	7.5	2.2	3.3	80	1.78	1070	
315L1	160	215	264	2980	96.0	96.0	95.1	0.91	0.89	0.86	8.0	2.5	3.2	82	1.97	1210	
315L2	200	270	330	2980	96.2	96.1	95.5	0.91	0.88	0.85	8.0	2.5	3.3	83	2.31	1285	
355M	250	335	412	2980	96.3	96.1	95.3	0.91	0.87	0.84	6.5	1.9	2.6	83	3.9	1798	

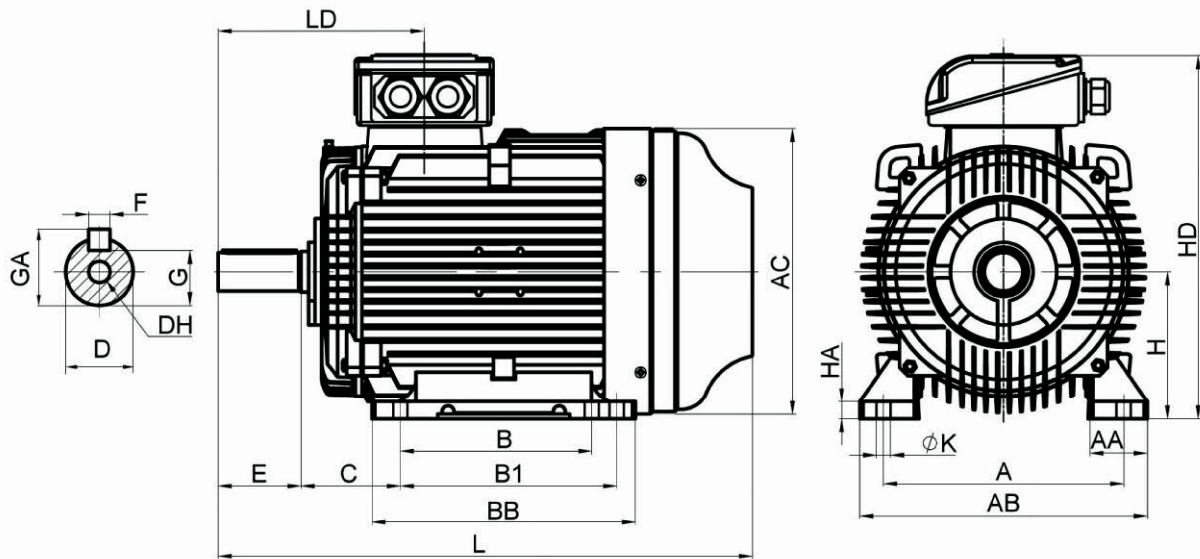
Authorized Dealer
SAFEMARKETING PTE LTD
 35 Kallang Pudding Road
 #02-12, Tong Lee Building, Blk A
 Singapore 349314
 Tel: 65-67442277 / Fax: 65-67445706
 Email: safewaykl@lycos.com

WONDER

DRAKOS



Mounting and Overall Dimensions



Frame Size	Poles	Mounting Dimensions (mm)												Overall Dimensions (mm)								
		A	B	B1	C	D	E	F	G	H	K	DH	GA	AA	AB	AC	HA	HD	BB	LD	L	
160M2	2	254	210	/	108	42	110	12	37	160	15	M16 x 36	45	65	315	315	20	409	260	146	614	
160L	2	254	254	/	108	42	110	12	37	160	15	M16 x 36	45	65	315	315	20	409	384	146	658	
180M	2	279	241	/	121	48	110	14	43	180	15	M16 x 36	51.5	70	350	360	22	445	311	161	690	
200L1	2	318	305	/	133	55	110	16	49	200	19	M20 x 42	59	70	388	400	25	492	370	186	780	
200L2	2	318	305	/	133	55	110	16	49	200	19	M20 x 42	59	70	388	400	25	492	370	186	780	
225M	2	356	311	/	149	55	110	16	49	225	19	M20 x 42	59	75	435	450	28	540	386	189	820	
250M	2	406	349	/	168	60	140	18	53	250	24	M20 x 42	64	80	503	485	30	616	445	207	915	
280S	2	457	368	/	190	65	140	18	58	280	24	M20 x 42	69	85	545	550	35	672	490	215	968	
280M	2	457	419	/	190	65	140	18	58	280	24	M20 x 42	69	85	545	550	35	672	540	215	1020	
315S	2	508	406	/	216	65	140	18	58	315	28	M20 x 46	69	120	630	625	45	815	570	257	1204	
315M	2	508	457	508	216	65	140	18	58	315	28	M20 x 46	69	120	630	625	45	815	680	257	1307	
315L1	2	508	457	508	216	65	140	18	58	315	28	M20 x 46	69	120	630	625	45	815	680	257	1307	
315L2	2	508	457	508	216	65	140	18	58	315	28	M20 x 46	69	120	630	625	45	815	680	257	1307	
355M	2	610	560	560	254	75	140	20	67.5	355	28	M20 x 46	79.5	120	730	710	52	970	750	284	1526	

Bearing

Frame Size	Driven End 2 Pole	Non Driven End 2 Pole
160M2	6209 2Z/C3	6209 2Z/C3
160L	6209 2Z/C3	6209 2Z/C3
180M	6211/C3	6211/C3
200L1	6212/C3	6212/C3
200L2	6212/C3	6212/C3
225M	6312/C3	6312/C3
250M	6313/C3	6313/C3
280S	6314/C3	6314/C3
280M	6314/C3	6314/C3
315S	6317/C3	6317/C3
315M	6317/C3	6319/C3
315L1	6317/C3	6317/C3
315L2	6317/C3	6317/C3
355M	6319/C3	6319/C3