

DRAKOS

Short Neck Butterfly Valve with Multiple Keys BV-005



Technical Data

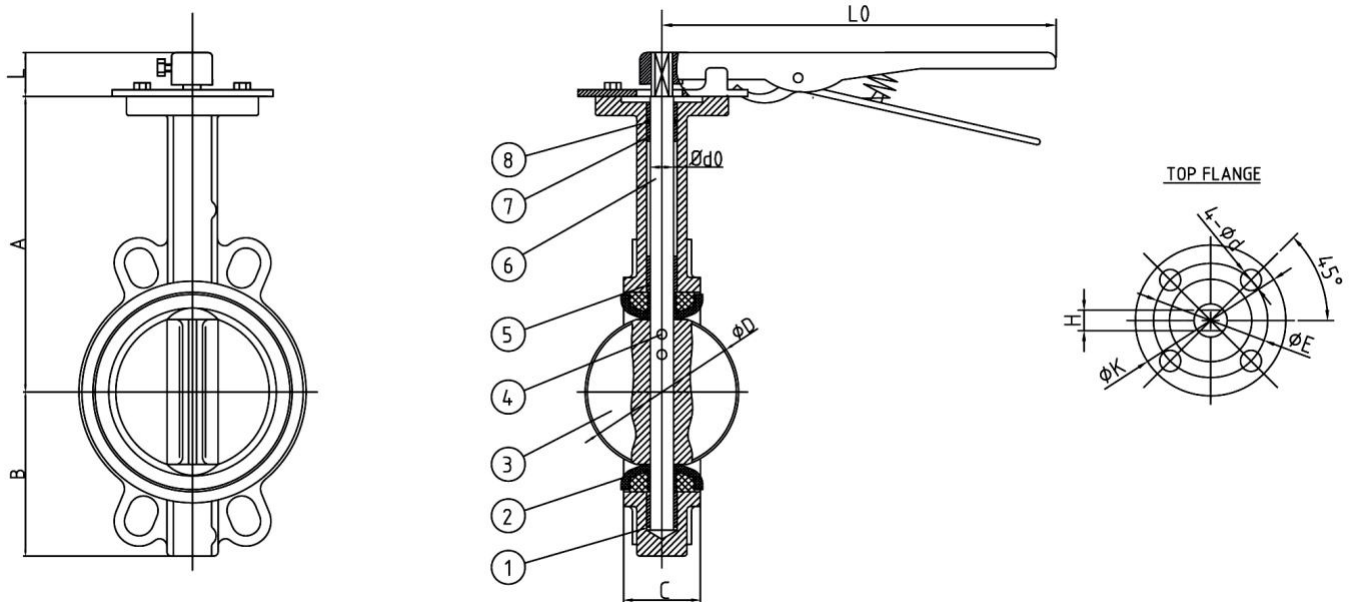
- Size: DN50 (2") to DN350 (14")
- Nominal Pressure: PN10 /PN16
- Working Temperature: -45° C to +200° C
- Suitable Mediums: Fresh Water, Sewage, Sea Water, Air, Oils, Alkalies, Salts, etc.

Standard

- Design & Manufacture According to API 609, MSS SP-67, BS5155, BS EN593.
- Face to Face According to DIN3202, API 609, MSS SP-67, BS5155, BS EN558, ISO5752.
- Top Flange According to ISO5211.
- Pressure Test According to API 598, BS EN12266-1, DIN3230, BS5155.
- Side Flange According to DIN2501, ANSI125/150, AS129, BS4504, BS10D & E, JIS 10K.



DRAKOS - POLEMIS S.A.
PUMP MANUFACTURERS
Kryoneri - Athens - Greece



Component List

Item	Part Name	Material	Qty
1	Body	Ductile Iron	1
2	Seat	EPDM	1
3	Disc	Stainless Steel	1
4	Pin	Stainless Steel	2
5	Long Bushing	PTFE	2
6	Shaft	Stainless Steel	1
7	Short Bushing	PTFE	2
8	O Ring	EPDM	1
9	Lever		1

Dimension

Size	A	B	C	D	d0	H	L	L0	Top Flange	K	E	4-Ød
DN50 (2")	161	80	43	52.9	12.6	10	32	255	F05	65	50	4-7
DN65 (2.5")	175	89	46	64.5	12.6	10	32	255	F05	65	50	4-7
DN80 (3")	181	95	46	78.8	12.6	10	32	255	F05	65	50	4-7
DN100 (4")	200	114	52	104	15.77	12	32	255	F07	90	70	4-10
DN125 (5")	213	127	56	123.3	18.92	14	32	255	F07	90	70	4-10
DN150 (6")	226	139	56	155.6	18.92	14	32	255	F07	90	70	4-10
DN200 (8")	260	175	60	202.5	22.1	17	45	366	F10	125	102	4-12
DN250 (10")	292	203	68	250.5	28.45	22	45	366	F10	125	102	4-12
DN300 (12")	337	242	78	301.6	31.6	24	45	505	F10	125	102	4-12
DN350 (14")	368	267	78	333.5	31.6	24	45	505	F10	125	102	4-12