

**EFFICIENT
ECONOMICAL
RELIABLE**

**USEFUL FOR PUMPING & TRANSFER
OF ALL VISCOUS LIQUIDS, OILS, AND
PETROLEUM PRODUCTS**

DRAKOS

ROTARY GEAR PUMP

TYPE SG



Features

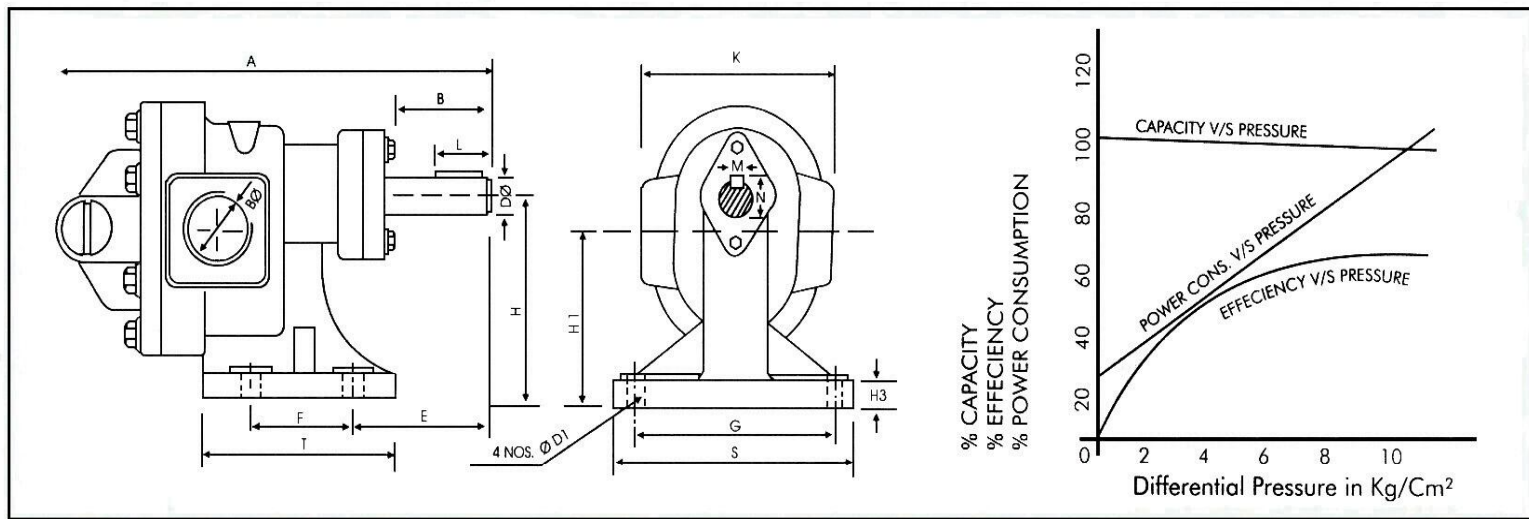
- **Single Helical Gears**
- **Hardened & Ground Shafts**
- **Max. Capacity - 500 LPM**
- **Max. Pressure - 10 Kg/Cm²**
- **Max. Temperature - 80°C**
- **Modified version for High Temp. upto - 250°C**
- **Modified version for Molasses and Vacum application**



DRAKOS - POLEMIS S.A.
PUMP MANUFACTURERS
Kryoneri - Athens - Greece

H.P CHART

| PUMP MODEL | INLET OUTLET SIZE | CAPACITY | | | RECOMMENDED MOTOR HP AT DIFFERENTIAL PRESSURE OF 'X' Kg/Cm ² WITH 1500 SSU VISCOSITY | | | | | | | | | | WT. OF BARE SHAFT PUMP IN KG. |
|------------|-------------------|----------|--------|-------|---|---|------|------|------|------|-----|------|-----|----|-------------------------------|
| | | LPM | US GPM | M3/hr | 1 | 2 | 3 | 4 | 5 | 6 | 7 | 8 | 9 | 10 | |
| SG-050 | 1/2" X 1/2" | 20 | 5.3 | 1.2 | 0.5 | | | | | 0.75 | | | | | 2.3 |
| SG-075 | 3/4" X 3/4" | 30 | 7.92 | 1.8 | 0.5 | | | 0.75 | | | 1.0 | | | | 4.5 |
| SG-100 | 1" X 1" | 50 | 13.2 | 3.0 | 0.5 | | 0.75 | | 1.0 | | 1.5 | | | | 6.2 |
| SG-125 | 1 1/4" X 1 1/4" | 75 | 19.8 | 4.5 | 1.0 | | 1.5 | | | 2.0 | | | 3.0 | | 8.5 |
| SG-150 | 1 1/2" X 1 1/2" | 110 | 29.0 | 6.6 | 1.5 | | 2.0 | | 3.0 | | | 5.0 | | | 10.0 |
| SG-200 | 2" X 2" | 225 | 59.4 | 13.5 | 3.0 | | | 5.0 | | | 7.5 | | | | 18.0 |
| SG-250 | 2 1/2" X 2 1/2" | 350 | 92.5 | 21.0 | 5.0 | | 7.5 | | 10.0 | | | 12.5 | | | 27.3 |
| SG-300 | 3" X 3" | 500 | 131.6 | 30.0 | 10.0 | | 12.5 | | 15.0 | | | 20.0 | | | 38.5 |



DIMENSIONS

| MODEL | A | B | E | F | G | S | T | H | H1 | H2 | H3 | L | M | N | DØ | D1Ø | K | PQ |
|--------|-----|-----|------|-----|-----|-----|-----|-----|-----|-----|----|------|---|------|----|-----|-----|------------|
| SG-050 | 152 | 32 | 51 | 40 | 70 | 90 | 70 | 63 | 50 | 90 | 6 | 22 | 4 | 13.5 | 12 | 8 | 70 | 1/2" BSP |
| SG-075 | 182 | 37 | 63.5 | 45 | 85 | 110 | 80 | 80 | 66 | 115 | 8 | 25 | 5 | 16 | 14 | 10 | 80 | 3/4" BSP |
| SG-100 | 204 | 46 | 64.5 | 50 | 93 | 120 | 95 | 93 | 73 | 138 | 8 | 27.5 | 5 | 19 | 17 | 10 | 90 | 1" BSP |
| SG-125 | 238 | 48 | 65 | 60 | 105 | 140 | 110 | 100 | 79 | 140 | 10 | 32 | 6 | 22.5 | 20 | 12 | 100 | 1 1/4" BSP |
| SG-150 | 256 | 53 | 80 | 70 | 115 | 150 | 130 | 110 | 88 | 155 | 12 | 35 | 6 | 24.5 | 22 | 12 | 108 | 1 1/2" BSP |
| SG-200 | 320 | 73 | 92 | 100 | 140 | 180 | 160 | 132 | 105 | 192 | 15 | 40 | 8 | 28 | 25 | 15 | 142 | 2" BSP |
| SG-250 | 380 | 85 | 110 | 120 | 155 | 200 | 185 | 145 | 114 | 215 | 18 | 45 | 8 | 31 | 28 | 17 | 160 | 2 1/2" BSP |
| SG-300 | 425 | 100 | 120 | 140 | 180 | 235 | 205 | 160 | 120 | 235 | 20 | 50 | 8 | 33 | 30 | 17 | 170 | 3" BSP |

| Sr. No. | PART | MOC. |
|---------|-------------|---------------------|
| 1 | CASING | CI GR. 20 |
| 2 | R.V. COVER | CI GR. 20 |
| 3 | GLAND COVER | CI GR. 20 |
| 4 | SHAFTS | EN-9 H&G |
| 5 | GEARS | EN-8 |
| 6 | SEALING | OIL SEAL |
| 7 | BEARING | BRONZE BUSH BEARING |
| 8 | PLUG | BRASS |



DRAKOS - POLEMIS S.A.
PUMP MANUFACTURERS
Kryoneri - Athens - Greece