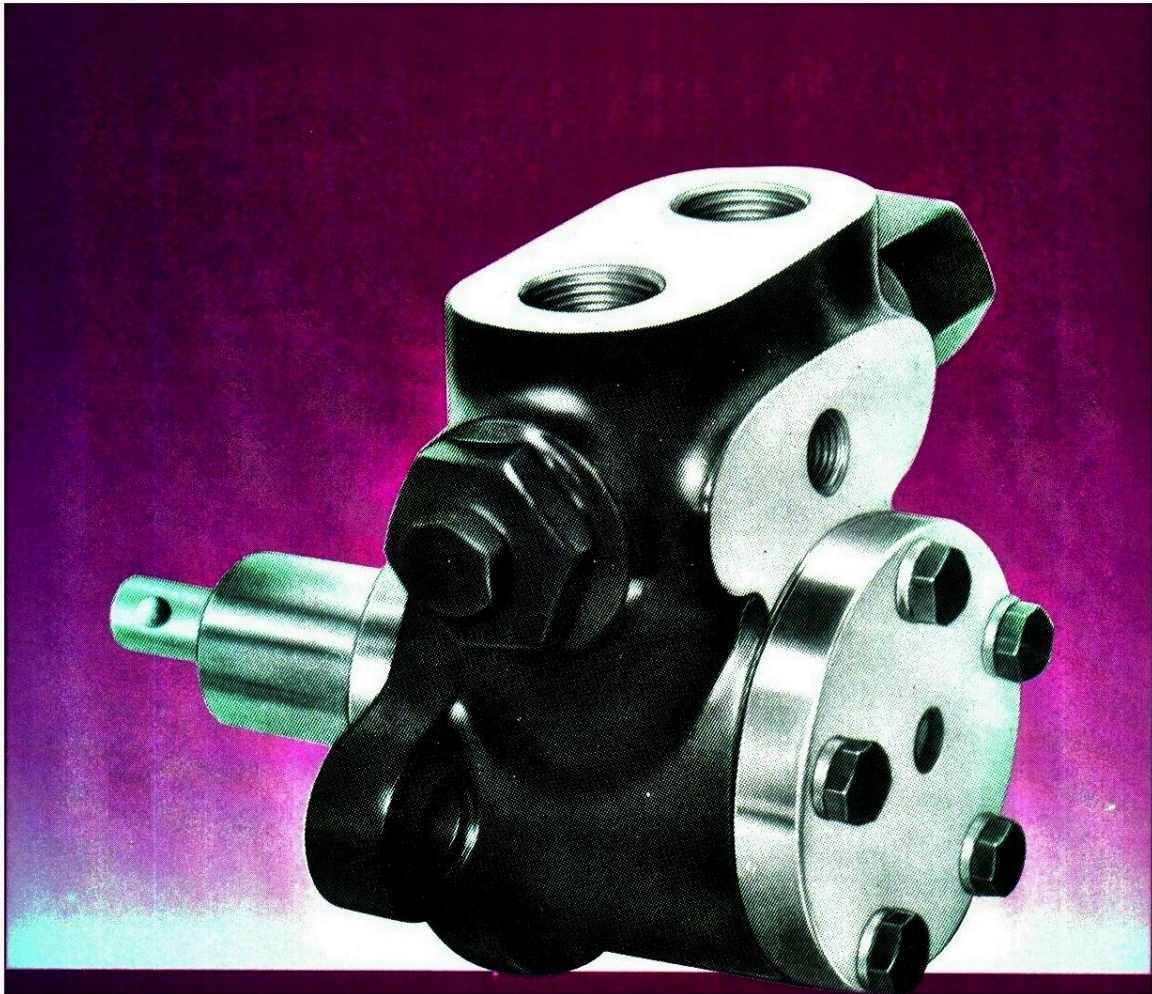


DRAKOS

Fuel Pressuring Internal Gear Pump

TYPE AFP



High precision positive displacement internal gear pump to match the most demanding application in Boilers, Burners, hydraulic, fuel pressuring and injection. This pump is ideally suitable for handling liquid like **LDO, FO, LSHS** and **HSD**. It can be used as booster pump for diesel locomotive, pump for force feed lubrication, in oil filtration system, oil pumping and heating systems and in machine tool units.



DRAKOS - POLEMIS S.A.
PUMP MANUFACTURERS

Kryoneri - Athens - Greece

Performance Chart

Model	Inlet Outlet Sizes	Capacity in LPH	Speed RPM	Recommended Motor HP		
				5 Kg/cm ²	15 Kg/cm ²	30 Kg/cm ²
AFP 050	1/2" X 1/2"	150	1440	0.25 HP	0.75 HP	1.5 HP
		300		0.25 HP	0.75 HP	1.5 HP
		450		0.50 HP	1 HP	1.5 HP
		600		0.50 HP	1 HP	2 HP
AFP 075	3/4" X 3/4"	1000		0.75 HP	2 HP	3 HP
		1500		0.75 HP	2 HP	3 HP
		2000		1 HP	3 HP	5 HP
		2500		1 HP	3 HP	5 HP

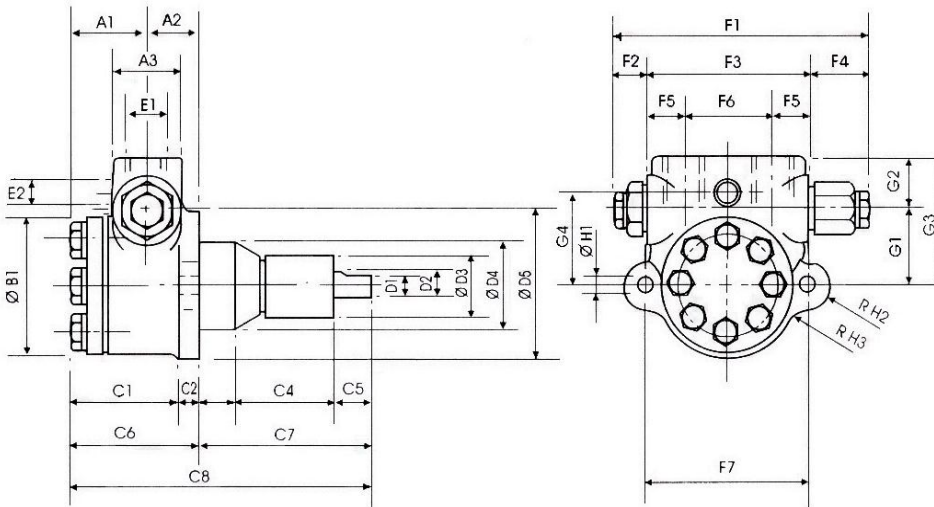
These pumps give max. pressure of 35 kg / cm². However for continuous duty max. recommended pressure is 30 kg / cm².

Pump model AFP - 050 can also be used at 2900 RPM, where the capacity will get approx. double of normal duty condition.

These pumps are strictly recommended for use in Non-corrosive and Non-abrasive liquids. Pumps without relief valve are available optionally.

Features :

DRAKOS fuel pressuring pump type AFP are made out of graded casting with internal gears to give long trouble free life and precision performance. This pump is flange mounted type and comes with built in pressure relief valve and external by passing arrangement. The sealing is done with mechanical seal to ensure zero leakage at max. Pressure. This pump is self priming type and creates max. Vacuum of 600/650 mm Hg. which gives higher suction lift than normal external gear pump. This pump can handle liquid upto 500 cst viscosity and upto temperature 200°C. The direction of rotation of the pump can be clockwise & anti-clockwise as per requirement.



No.	Part	Moc
1.	Pump Body	CI Gr.20
2.	Eccentric Cover	CI Gr.20
3.	Mechanical Seal Housing	MS
4.	Shafted Rotor	EN-8 H&G
5.	Idler Gear	EN-8
6.	Bush	Bronze

Dimensions :

Model	A1	A2	A3	ØB1	C1	C2	C3	C4	C5	C6	C7	C8	D1	ØD2	ØD3	ØD4	ØD5	E1	E2	F1	F2	F3	F4	F5	F6	F7	G1	G2	G3	G4	ØH1	RH2	RH3
AFP-050	41	29	39	70	56	14	16	37	23	70	76	146	10.5	12	27AF	54	81	1/2"BSP	1/4"BSP	143	15	90	38	23.25	43.5	92.5	47	28	75	47	10.5	14	14.5
AFP-075	49	39	47	96	73	16	26	73	27	88	125	214	16.3	18	45	60	104	3/4"BSP	3/8"BSP	159	16	118	25	25.5	67	120	55.25	34.75	90	64	13	15	30

Each AFP pump is tested 100 % for its performance at 1440 rpm with oil of viscosity 35 cst at normal working temp. and pressure of 30 kg/cm²



DRAKOS - POLEMIS S.A.
PUMP MANUFACTURERS
Kryoneri - Athens - Greece