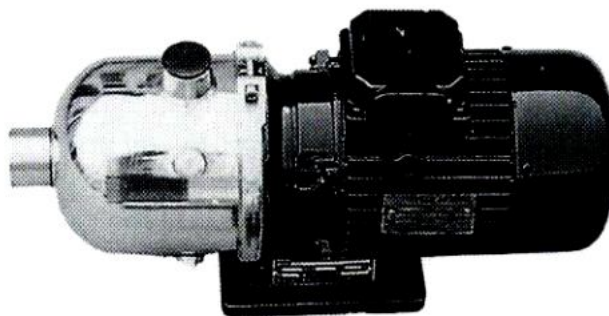


TYPE MWB

Multistage Centrifugal Pumps

Stainless Steel Hydraulics
Aluminium Motor



Applications

- Drinking water supply
- Pressure Booster of domestic system
- Water treatment
- Dosing System
- Fountains
- Emptying tanks and pools
- Pumping clean water and moderately aggressive industrial liquids
- Cooling towers

Performance Limits

- Max. working pressure : 10 bar
- Max. liquid temperature : -15°C to + 110°C

Materials

- Pump casing, impellers, diffusers and shaft : AISI 304 or 316 L stainless steel
- Support, motor frame : aluminium
- Standard mechanical seal :
NBR / ceramic / carbon

Motors

- TEFC, IP55 protection
- Insulation class F
- 380 - 415 V
- 50Hz or 60Hz

Performance Data at : 2800 R.P.M. Performance Limits: ISO2548 specifications

Size	Power Kw	Q. Capacity																		
		m ³ /h	1.0	2.0	3.0	4.0	5.0	6.0	7.0	8.0	9.0	10.0	11.0	12.0	14.0	16.0	18.0	20.0	22.0	
		H. Head (m)																		
MWB2-20	0.37		18	14	11															
MWB2-30	0.55		27	21	17															
MWB2-40	0.55		34	28	23															
MWB2-50	0.55		43	35	28															
MWB2-60	0.75		50	42	33															
MWB4-20	0.55		19	18	16	15	13	10	7											
MWB4-30	0.75		28	27	24	22	19	15	10											
MWB4-40	0.75		38	36	32	30	26	20	14											
MWB8-10	0.75						9.5	9.3	9	8.5	7.5	6.5	5.5							
MWB8-20	0.75						19	18.5	18	17	15	13	11							
MWB8-30	1.1						29	28	27	25.5	22.5	20	17.5							
MWB8-40	1.5						39	38	36	34	30	26.5	22.5							
MWB8-50	2.2						49	47	45	42.5	38	33.5	28							
MWB16-10	1.1									12.5	12.2	12	11.8	11.5	10.5	10	9	7.5	6.5	
MWB16-20	2.2									25.5	25	24	23.5	23	22	21	19	17	14.5	
MWB16-30	3									38.5	38	37.5	37	36	34	32	30	27	23	



DRAKOS - POLEMIS INC
PUMP MANUFACTURERS

PLANT & HEAD OFFICE

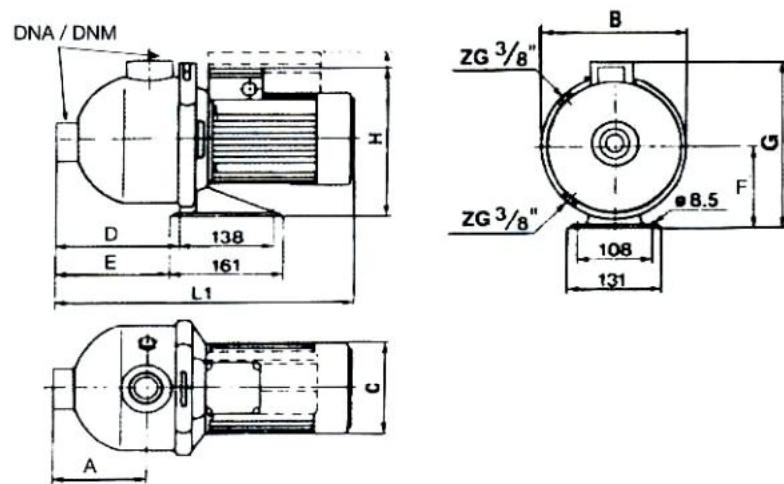
Kryoneri - Attiki

Tel.: ++30(1) 81 61 402 Fax: ++30(1) 81 61 262

Post Address: P.O. Box 51024 GR-145 Kifissia, Athens Greece.

Performance Data at : 3430rpm (60 Hz)

Size	Power Kw	Q. Capacity																		
		m ³ /h	1.0	2.0	3.0	4.0	5.0	6.0	7.0	8.0	9.0	10.0	11.0	12.0	14.0	16.0	18.0	20.0	22.0	
		H. Head (m)																		
MWB2-20	0.55		26	21	18	12														
MWB2-30	0.75		38	33	27	19														
MWB2-40	1.10		51	44	36	26														
MWB2-50	1.10		63	55	46	33														
MWB4-20	0.75			26	24	22	21	19	16	12										
MWB4-30	1.10			39	36	33	31	28	23	18										
MWB4-40	1.50			53	49	44	42	38	31	24										
MWB8-10	0.75							14	13	12	11.5	11	10	9						
MWB8-20	1.50							27	26	25	24	23	21	19						
MWB8-30	2.20							41	40	39	37	34	33	29						
MWB8-40	3.0							55	54	52	50	45	43	39						



Dimensional Table

Size	Dimensions (mm)											DNA/DNM	KG
	A	B	C	D	E	F	G	H	L1	DNA/DNM			
MWB2 - 20	120	165	145	160	150	110	210	220	400	G1"	10		
MWB2 - 30	120	165	145	160	150	110	210	220	400	G1"	10		
MWB2 - 40	120	165	145	160	150	110	210	220	400	G1"	15		
MWB2 - 50	120	165	170	160	150	110	210	220	400	G1"	15		
MWB2 - 60	120	165	170	160	150	110	210	220	420	G1"	15		
MWB4 - 20	120	165	145	160	150	110	210	220	400	G1" 1/4	10		
MWB4 - 30	120	165	145	160	150	110	210	220	445	G1" 1/4	15		
MWB4 - 40	120	165	145	160	150	110	210	220	445	G1" 1/4	15		
MWB8 - 10	178	230	145	280	270	116	264	220	540	G2"	20		
MWB8 - 20	178	230	145	280	270	116	264	220	540	G2"	20		
MWB8 - 30	178	230	170	280	270	116	264	220	550	G2"	25		
MWB8 - 40	178	230	170	280	270	116	264	230	560	G2"	25		
MWB8 - 50	178	230	180	280	270	116	264	230	570	G2"	30		
MWB16 - 10	178	230	170	280	270	116	264	220	560	G2"	20		
MWB16 - 20	178	230	180	280	270	116	264	230	570	G2"	25		
MWB16 - 30	178	230	180	280	270	116	264	230	590	G2"	30		



DRAKOS - POLEMIS INC
PUMP MANUFACTURERS