

# 2 WAY SOLENOID VALVES

Normally Closed Solenoid Valve Pipe Size: 3/8" (10 mm) to 2" (50 mm) B.S. or N.P.T.

For Fluid: Water, Air, Gas, Oil & Vacuum AD12-10 to AD12-50

**NCD**  
**AMAX**

## SPECIFICATIONS:

- 1 2 Way normally closed
- 2 SS304, Gunmetal or Brass Body
- 3 Pilot kick diaphragm type
- 4 Installation: Mountable in any position but level position is best for a longer durability
- 5 Standard Voltage:  
AC 110V/220V (50/60 Hz)
- 6 Other voltage of AC or DC is available when required
- 7 Weather proof coil, IP65, Class F/H
- 8 ISO Standard

## CAUTION:

- 1 Pipe must be washed clean before fitting
- 2 A steam strainer or filter has to be installed one meter away from the solenoid valve

## FEATURES:

- 1 Small size, high flow, low electric power required
- 2 Systematic production, spare parts are exchangeable

## UNSUITABLE FOR FLUID:

- 1 Viscosity over 50 cst
- 2 Liquid when heated, solid when cool
- 3 Corrosive fluid



## SPECIFICATION

Model	Connection Size	Orifice (mm)	Cv	Fluid Temperature (°C)	Max. Operating Press. Diff. Kgf/cm <sup>2</sup> (Bar)					Weight (kg)	
					Water	Air	Gas	Oil	Vacuum	N.W	G.W
Normally closed operation,					Cast Body,					"EPDM" Diaphragm	
AD12-10	3/8" (pipe)	10	4.5	5°C to 80°C	0 - 7	0 - 7	0 - 7	0 - 5	0 - 10 <sup>-6</sup> torr	0.87	0.90
AD12-15	1/2" (Pipe)	15	4.5		0 - 7	0 - 7	0 - 7	0 - 5	0 - 10 <sup>-6</sup> torr	0.87	0.90
AD12-20	3/4" (Pipe)	20	9.3		0 - 7	0 - 7	0 - 7	0 - 5	0 - 10 <sup>-6</sup> torr	0.95	0.98
AD12-25	1" (Pipe)	25	12		0 - 7	0 - 7	0 - 7	0 - 5	0 - 10 <sup>-6</sup> torr	1.50	1.60
AD12-35	1-1/4" (Pipe)	35	22		0 - 7	0 - 7	0 - 7	0 - 5	0 - 10 <sup>-6</sup> torr	3.40	3.60
AD12-40	1-1/2" (Pipe)	40	30		0 - 7	0 - 7	0 - 7	0 - 5	0 - 10 <sup>-6</sup> torr	3.30	3.50
AD12-50	2" (Pipe)	50	48		0 - 7	0 - 7	0 - 7	0 - 5	0 - 10 <sup>-6</sup> torr	5.48	5.78

## ELECTRICAL INFORMATION

Model	Power			Class of Insulation	Wire Colour of Outlet Coil			Spare Coil Part No.	
	AC (VA)		DC (watt)		AC 110V	AC 220V	Others	Normal Coil	Water Proof Coil
	50 Hz	60 Hz							
AD12-10, 15, 20, 25	21	18	10	F/H	Blue	Red	White	A1-NC	A1-WP
AD12-35, 40, 50	21	18	19	F/H	Blue	Red	White	A2-NC	A2-WP

Authorized Dealer:

**SAFEGWAY MARKETING PTE LTD**

35 Kallang Pudding Road

Blk A, #02-12, Tong Lee Building

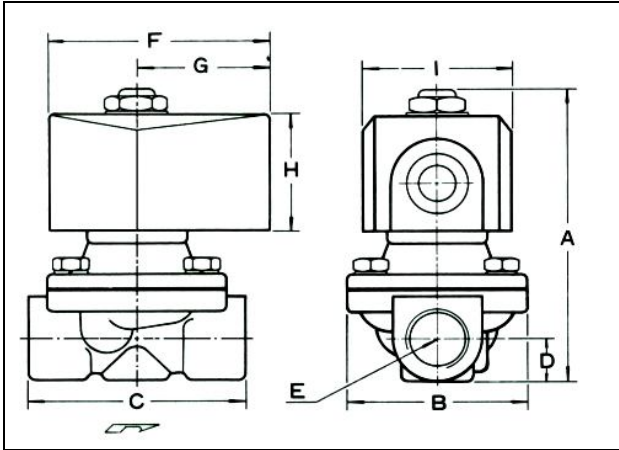
Singapore 349314

Tel: 65-67442277, Fax: 65-67445706

Email: safewaykl@lycos.com

# DIMENSION & INTERNAL STRUCTURE

## \* Dimension

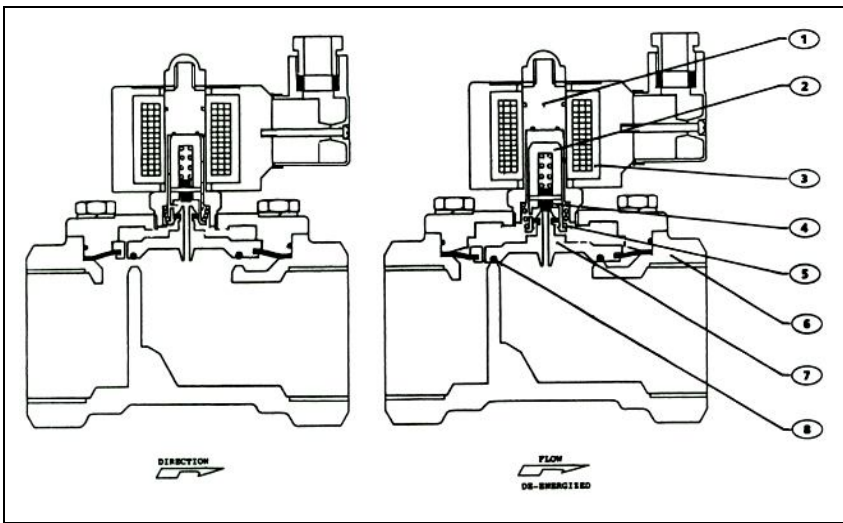


## DIMENSION

Unit: mm

Model	A	B	C	D	E	F	G	H	I
AD12-10	98	32	53	15	3/8"	62	35	40	47
AD12-15	98	58	70	15	1/2"	62	35	40	47
AD12-20	117	60	75	17	3/4"	62	35	40	47
AD12-25	12	77	100	22	1"	62	35	40	47
AD12-35	163	95	125	31	1-1/4"	62	35	40	47
AD12-40	163	95	125	31	1-1/2"	62	35	40	47
AD12-50	186	125	170	37	2"	62	35	40	47

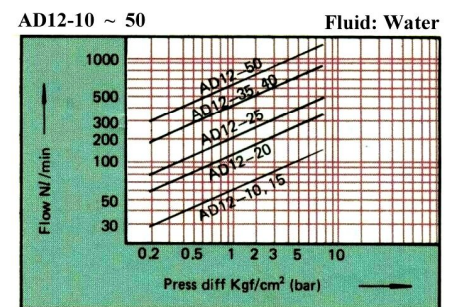
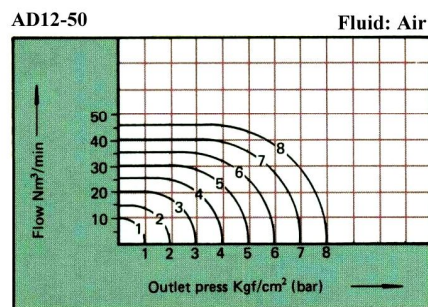
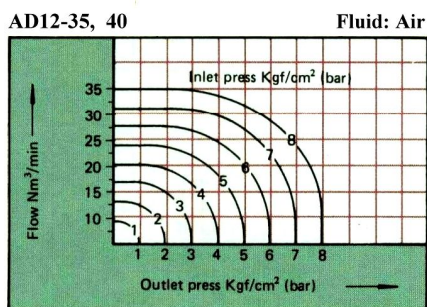
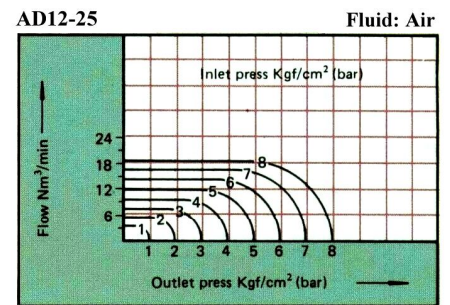
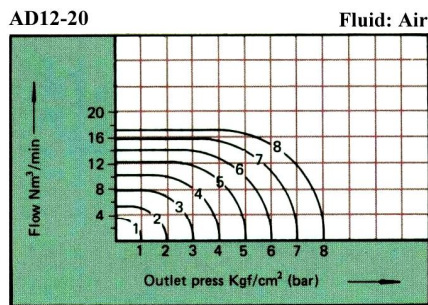
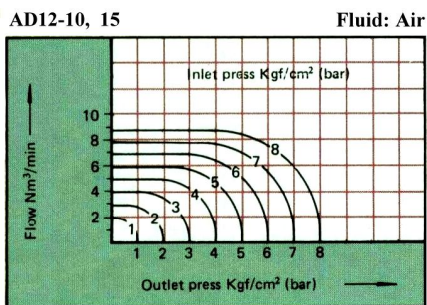
## \* Internal Structure



## MATERIAL OF MAJOR PARTS

S/No	Part Name	Material
1	Core & Core Tube	Stainless Steel
2	Plug nut	Stainless Steel
3	Coil	Copper Wire
4	Seat	NBR
5	Spring	Stainless Steel
6	Body	Stainless Steel
7	Diaphragm	EPDM
8	Seating	NBR

## \* FLOW CHARACTERISTICS CHART



**NCD**  
**AMAX**

**NCD-AMAX Solenoid Valve**

We accept no responsibility for interferences or obstructions not shown on this drawing.