

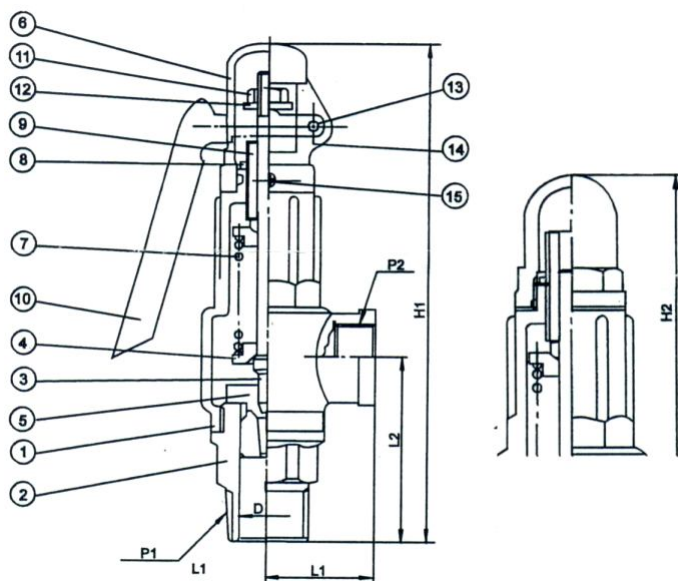
Model: A3WL

Pressure Safety Relief Valve with Lever
1/2" ~ 2"



Model: A3W

Pressure Safety Relief Valve with Sealing
1/2" ~ 2"



A3WL

A3W

Material of Major Parts

| No | Name of Part | Material |
|----|--------------|--------------------------|
| 1 | Valve Body | ASTM-B584-CR3600 |
| 2 | Valve Seat | ASTM-B124-C37700 |
| 3 | Spindle | ASTM-B16-C36000 |
| 4 | Spring Seat | ASTM-B16-C36000 |
| 5 | Disc | ASTM-B124-C37700 |
| 6 | Cap | ASTM-B584-C83600 |
| | | ASTM-B124-C37700 |
| 7 | Spring | Stainless Steel or Steel |

Fluid Symbol:

- | | |
|--------------------------|----|
| 1. Noncorrosive Gas: | NG |
| 2. Corrosive Gas: | CG |
| 3. Steam: | S |
| 4. Superheat Steam: | SS |
| 5. Hot Water: | HW |
| 6. Non-corrosive Liquid: | NL |
| 7. Corrosive Liquid: | CL |

Working Conditions

- | | |
|------------------------|-----------------------------|
| 1. Working Pressure: | 0.3 ~ 10 kg/cm ² |
| 2. Working Temperature | -45° C ~ 185° C |
| 3. Working Fluid | NG, S, HW, NL |

Dimension

Unit (mm)

| Inner Diameter | Inlet Diameter (P1) | Seal Diameter (D) | Outlet Diameter (P2) | Lift | L1 | L2 | H1 | H2 | Weight (kg) |
|----------------|---------------------|-------------------|----------------------|------|----|-----|-----|-----|-------------|
| 13 (1/2") | RC (1/2") | 13 | G (1/2") | 0.52 | 32 | 52 | 162 | 140 | 0.53 |
| 19 (3/4") | RC (3/4") | 19 | G (3/4") | 0.76 | 36 | 58 | 172 | 150 | 0.66 |
| 25 (1") | RC (1") | 25 | G (1") | 1.00 | 40 | 71 | 204 | 185 | 1.13 |
| 32 (1 1/4") | RC (1 1/4") | 32 | G (1 1/4") | 1.28 | 52 | 83 | 223 | 208 | 1.99 |
| 38 (1 1/2") | RC (1 1/2") | 38 | G (1 1/2") | 1.52 | 58 | 96 | 252 | 236 | 2.5 |
| 50 (2") | RC (2") | 50 | G (2") | 2.00 | 65 | 103 | 287 | 265 | 3.71 |

Authorized Dealer
SAFEMARKETING PTE LTD
 35 Kallang Pudding Road
 Blk A, #02-12, Tong Lee Building
 Singapore 349314
 Tel: 65-67442277 / Fax: 65-67445706
 Email: safewaykl@lycos.com