

# **NCD-AMAX** Water Pressure Reducing Valve

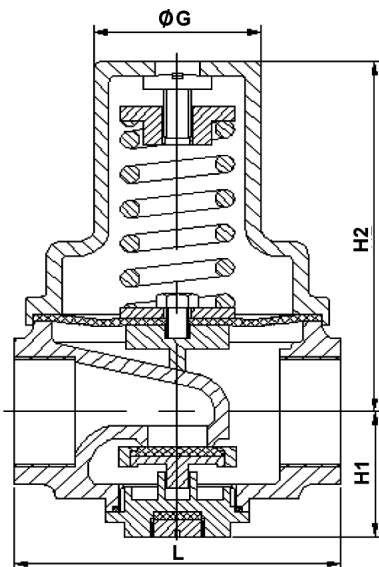
## **Model WPV**

### **Stainless Steel**



#### Technical Data:

Application	:	Water
Orifice Ø (mm)	:	DN15 to DN50
Max. Working Pressure	:	1.6 Mpa
Test Pressure (Body)	:	2.4 Mpa
Outlet Pressure Adjustment	:	0.12 Mpa to 1.6 Mpa
Range	:	0.05 Mpa to 0.8 Mpa
Working Temperature	:	Up to 80° C
Connection	:	Thread Ends to BSP



#### Main Parts Material:

Body	:	SS304
Cover	:	SS304
Piston	:	SS304
O Ring	:	EPDM
Seal Ring	:	EPDM
Diaphragm	:	EPDM
Spring	:	Steel
Adjusting Bolt	:	SS304

#### Dimension:

Model	Port Size	Orifice (mm)	CV Value	L (mm)	H1 (mm)	H2 (mm)
WPV-005	G ½"	15	1	65	35	90
WPV-007	G ¾"	20	2	75	35	100
WPV-010	G 1"	25	3	90	46	115
WPV-012	G 1 ¼"	32	5	105	55	150
WPV-015	G 1 ½"	40	8	120	65	175
WPV-020	G 2"	50	14	140	75	195

Sole Agent:  
**SAFEWAY MARKETING PTE LTD**  
 35 Kallang Pudding Road  
 Blk A, #02-12, Tong Lee Building  
 Singapore 349314  
 Tel: 65-67442277, Fax: 65-67445706  
 E-mail: safewaykl@lycos.com