



Stainless Steel Vertical In Line Pump

TYPE IL

Applications

Circulating clean, non-corrosive fluids..
Heating and air-conditioning.
Water supply.
Circulating installations.

Specifications

Temperature : 15°C to 120°C.
Max. working pressure : 10 bars.
Motor : Vertical type flange motor, 2900rpm.
Motor supply: 415/3/50 or 230/1/50 (option)

Design Features

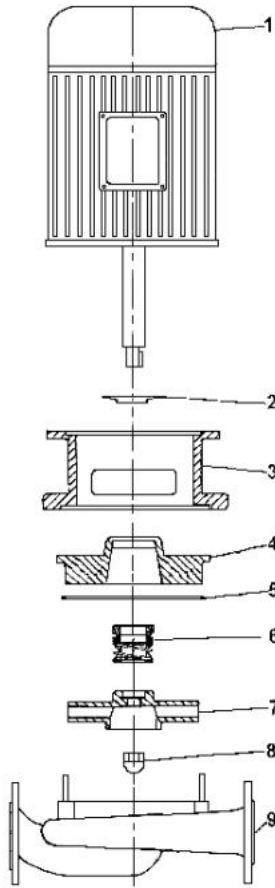
Single stage centrifugal pump in compact design.
Motor and pump are close coupled.
Suction and discharge flanges being of the same diameter and arranged opposite to each other can be directly mounted in the pipe line.
Flanges according to DIN 2532.
Simple installation.
No alignment problems.
The pump is usually supported by the piping but it can also be supported by a special bracket on request.



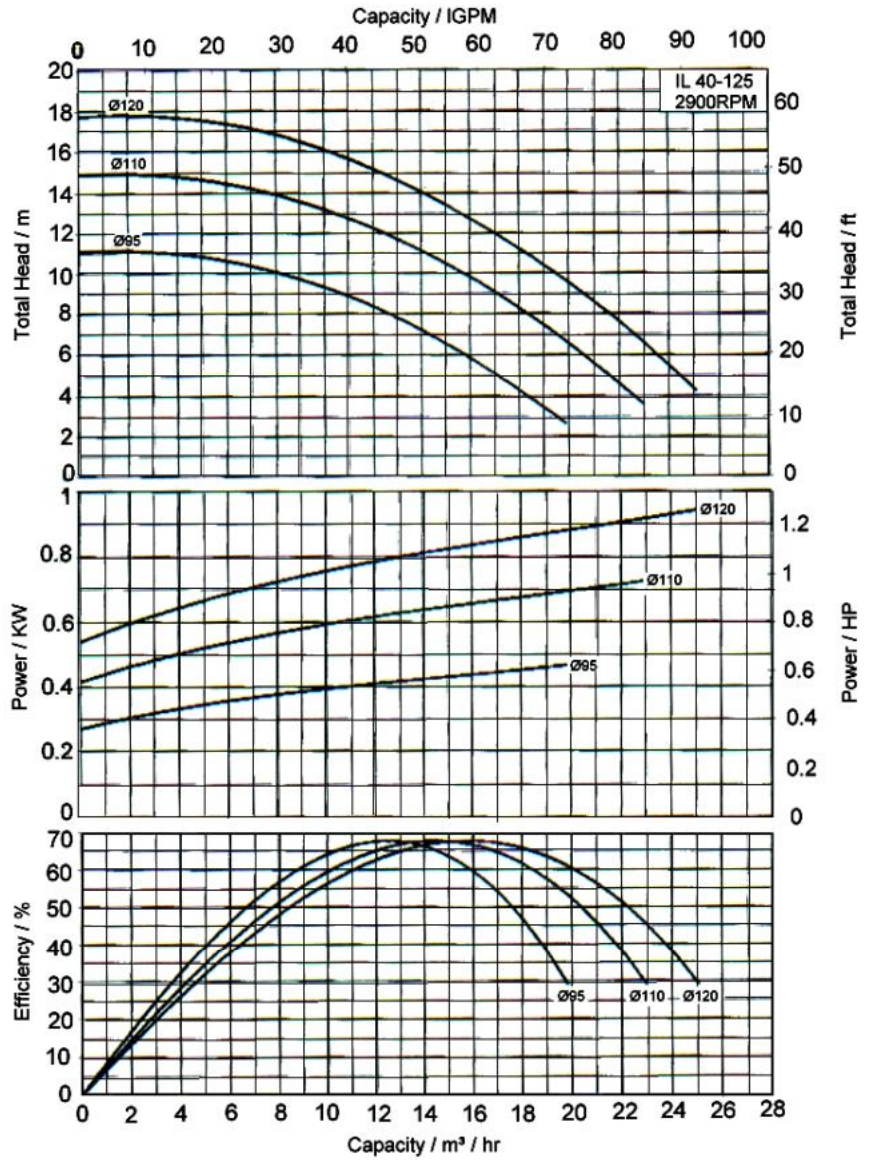
DRAKOS - POLEMIS INC
PUMP MANUFACTURERS
PLANT & HEAD OFFICE
Kryoneri - Attiki
Tel. : ++ 30 (1) 81 61 402
Fax : ++ 30 (1) 81 61 262
Post Address : P.O.Box 51024
GR-145 Kifissia, Athens Greece.

Inline Pump Parts List

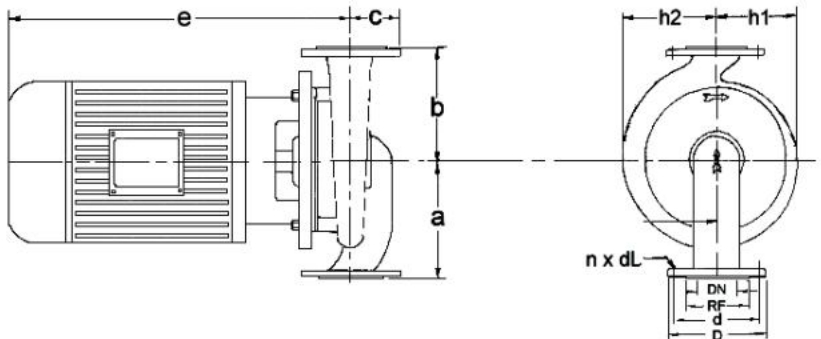
Pump Curve



Part No.	Designation	Qty	Material
1	Motor	1	Aluminium Frame
2	Deflector	1	Synthetic Rubber
3	frame Adaptor	1	Cast Iron
4	Stuffing Box Cover	1	Stainless Steel
5	Stuffing Box Cover Gask	1	P.T.F.E.
6	Mechanical Seal	1	Carbon vs. Ceramic
7	Impeller	1	Stainless Steel
8	Impeller Nut	1	Stainless Steel
9	Casing	1	Stainless Steel



Inline Pump General Dimensions



Pump Model	Dimensions in mm												
	Motor		Pump Dimensions					Flanges					
	HP	RPM	a	b	c	e	h1	h2	DN	RF	d	D	n x dL
IL 40 - 125	0.75, 1, 1.5	2900	145	125	68	350	83	93	40	78	100	130	4 x 14



DRAKOS - POLEMIS INC
PUMP MANUFACTURERS