

# SJ Series

## Stainless Steel Multistage Deep-well Submersible Pumps

### Applications

- Circulation or boosting for clean water demineralized water
- Water Supply
- GroundWater Level Control
- Irrigation
- Pressure Boosting
- Others Industrial Applications

### Specifications

- Maximum Liquid Temperature: 35° C
- Flow Rate: 0.2 ~ 120 m<sup>3</sup>/h
- Max. Working Pressure: 38 Bars
- Liquid Ph Range: 6.5 ~ 8.5
- Maximum Submerged Depth: 50m

### Pump

Drakos Type SJ stainless steel multistage deep-well submersible pump is a new type of water pumping machine. It is made by mature and advanced technology. It works with submersible motor. It can submerge in some depth and take place of traditional long shaft connected deep-well pump. The advantage of the pump is its compact structure, good performance, high efficiency, energy saving, small volume and light weight. Its runs stably and easy to install and operate. There is a built in spring ball non return valve in the pump lest water hammer impacts pumps when the pump stops and water return.

### NEMA Motor

- 4" Motor Stainless Steel  
(with Bronze or Stainless Steel flange)  
Single Phase: 0.37kw ~ 1.5kw  
Three Phase: 0.37kw ~ 7.5kw
- 6" Motor Cast Iron (standard)  
or Stainless Steel (need to specify)  
Three Phase: 4kw ~ 37kw
- 8" Motor Cast Iron (standard)  
or Stainless Steel (need to specify)  
Three Phase: 5.5kw ~ 75kw

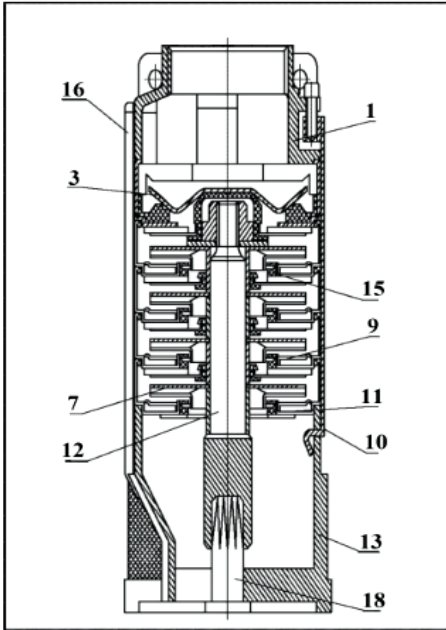


Model	Rated Flow (m3/h)	Flow Range (m3/h)	Max. Pressure (bar)	Motor Power (kW)	Max. Efficiency (%)
SJ1	1	0.2 ~ 2	28	0.37 ~ 2.2	45
SJ3	3	0.8 ~ 4	25	0.37 ~ 3	56
SJ5	5	1 ~ 6.5	24	0.37 ~ 4	59
SJ8	8	2 ~ 11	27	0.75 ~ 7.5	60
SJ12	12	3 ~ 18	16	1.5 ~ 7.5	60
SJ17	17	4 ~ 22	26	0.55 ~ 15	73
SJ30	30	5 ~ 38	28	1.1 ~ 22	74
SJ42	42	5 ~ 60	28	1.1 ~ 37	75
SJ60	60	10 ~ 75	29	2.2 ~ 37	79
SJ75	75	30 ~ 100	38	7.5 ~ 75	79
SJ95	95	40 ~ 120	34	9.2 ~ 75	80

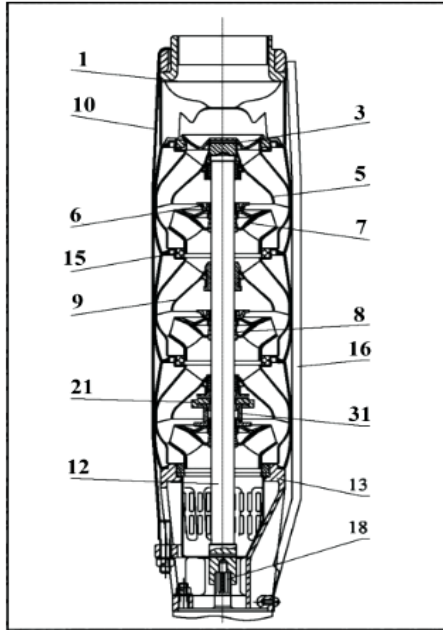


## Section Drawing

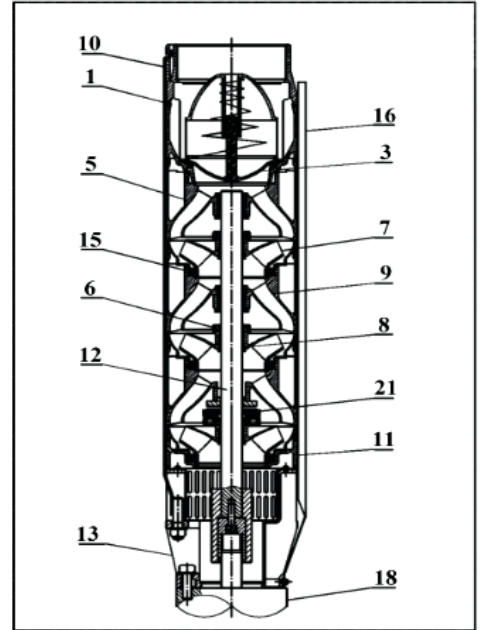
Model: SJ1, 3, 5, 8, 12, 17, 30



Model: SJ42, 60



Model: SJ75, 95



## Materials

No	Description	Material	No	Description	Material
1	Discharge Head	SS304	11	Inducer	SS304
3	Valve Cap	SS304	12	Pump Shaft	SS304/420
5	Discharge Diffuser	SS304	13	Suction Interconnector	SS304
6	Impeller Nut	SS304	15	Neck Ring	EPDM
7	Impeller Nut	SS304	16	Cable Guard	SS304
8	Impeller Cone	SS304	18	Submersible Motor	
9	Diffuser	SS304	21	Inlet Spacer	Carbon
10	Straps	SS304	31	Connecting Sleeve	SS304

## Performance Range

